

During building construction be sure to use BEST construction cores to provide limited security and convenience. BEST locks may have one or both kinds of construction cores:

- **plastic**, disposable construction turn knobs
- **brass**, returnable construction cores.

Use these instructions to understand how to install and remove both kinds of construction cores.

Installing the plastic construction turn knob

1 Install plastic core body

- Insert the core body into the upper part of the figure-8 hole. See Figure 1.

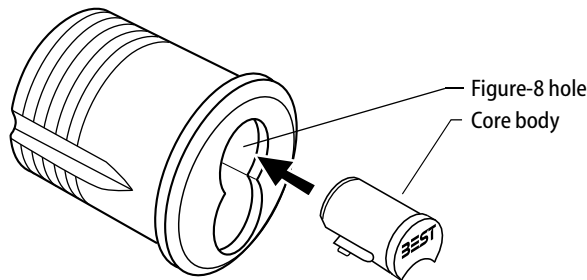


Figure 1 Inserting the plastic core body into the figure-8 hole (mortise cylinder housing shown).

2 Install plastic turn knob

For locks with throw pins only

- 1 Align the throw pins with the turn knob or with an installation tool (ED-211) to make sure that the cam or the throw member is in its proper position for installation (see the specific product installation instructions). See Figure 2.

Caution: Do not use a screw driver to align the throw pins — they can be easily bent.

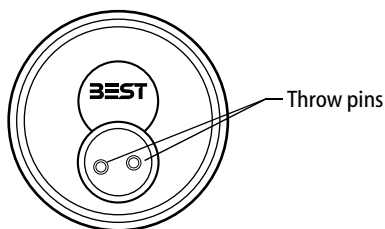


Figure 2 Aligning the throw pins to prepare for the installation of the plastic turn knob

For cylindrical locks only

- 1 Insert the throw member into the plastic turn knob. See Figure 3.

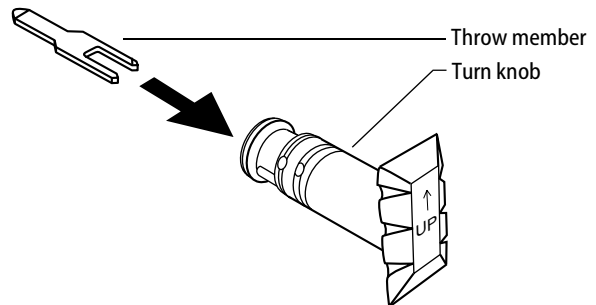


Figure 3 Inserting the throw member into the plastic turn knob.

For all locks and lock housings

- 2 With the arrow in the "up" position, insert the turn knob into the lower part of the figure-8 hole as far as it will go. See Figure 4. Pull gently on the turn knob to make sure that it's fully seated.

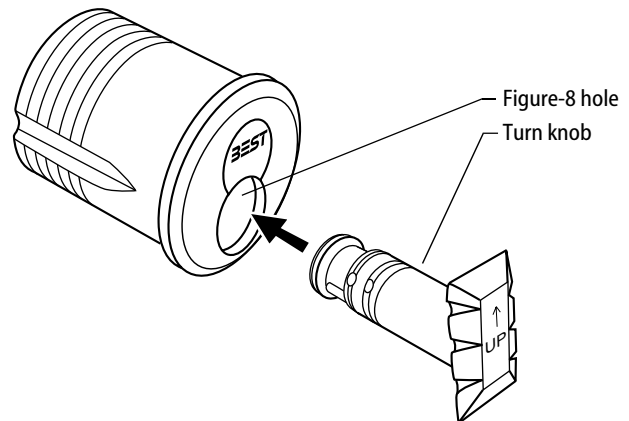


Figure 4 Inserting the turn knob into the figure-8 hole (mortise cylinder housing shown).

- 3 Operate the turn knob to make sure that it's properly seated. The turn knob should rotate smoothly.

Removing the plastic construction core

- Pull on the turn knob with a smooth, consistent force. The turn knob and core body comes out.

— For instructions on installing brass construction cores, see the back side.

Installing the brass construction core

For locks with throw pins only

- 1 Align the throw pins with the turn knob or with an installation tool (ED-211) to make sure that the cam or the throw member is in its proper position for installation (see the specific product installation instructions). See Figure 5.

Caution: Do not use a screw driver to align the throw pins — they can be easily bent.

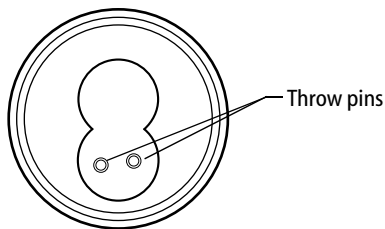


Figure 5 Aligning the throw pins to prepare for the installation of the brass construction core.

For cylindrical locks only

- 1 Insert the proper throw member into the core. Six-pin cores require the number '6' throw member; seven-pin cores require the number '7' throw member. See Figure 6.

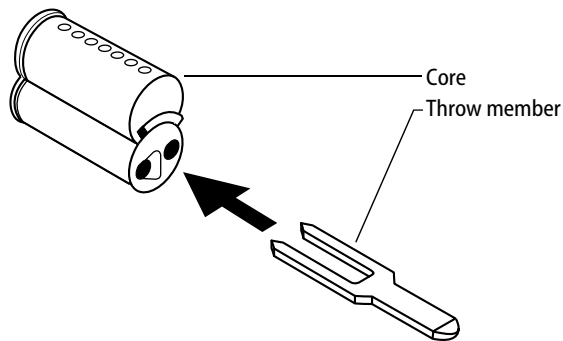


Figure 6 Inserting the cylindrical throw member into the core.

For all locks and lock housings

- 2 Insert the construction control key (stamped "CO") into the core and turn the key 15 degrees clockwise. See Figure 7.

This retracts the core locking lug, allowing the construction core to be removed from or installed into the lock housing.

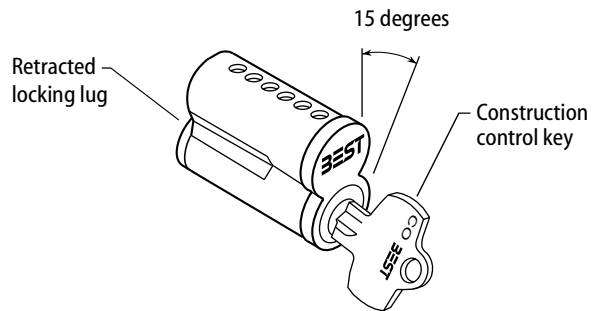


Figure 7 Inserting and turning the control key in the core.

- 3 Insert the core (and throw member for cylindrical locks) into the figure-8 hole with the control key as shown in Figure 8.

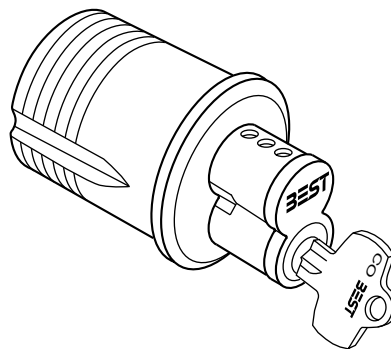


Figure 8 Inserting the core into the figure-8 hole (mortise cylinder housing shown).

- 4 Turn the key 15 degrees counterclockwise and remove the key.

Removing the brass construction core

- 1 Insert the construction control key — stamped "CO" — into the core and turn the key 15 degrees clockwise.
- 2 Pull on the key and remove the core (and throw member on cylindrical locks) from the figure-8 hole.
- 3 Turn the key 15 degrees counterclockwise and remove the key.