

1 Center punch the drill points

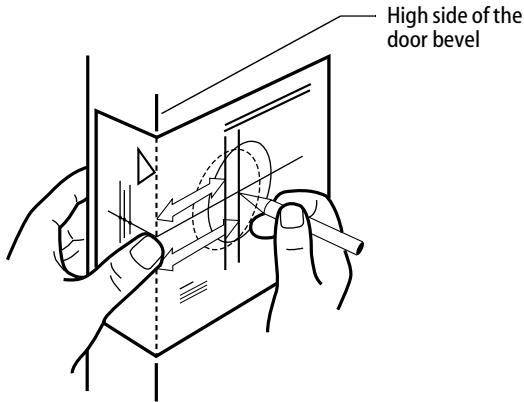


Figure 1 Positioning and marking with the template

- 1 Place the template at the desired height, on the high side of the door bevel.
- 2 Tape the template to the door.
- 3 Center punch the drill points.

2 Bore two holes

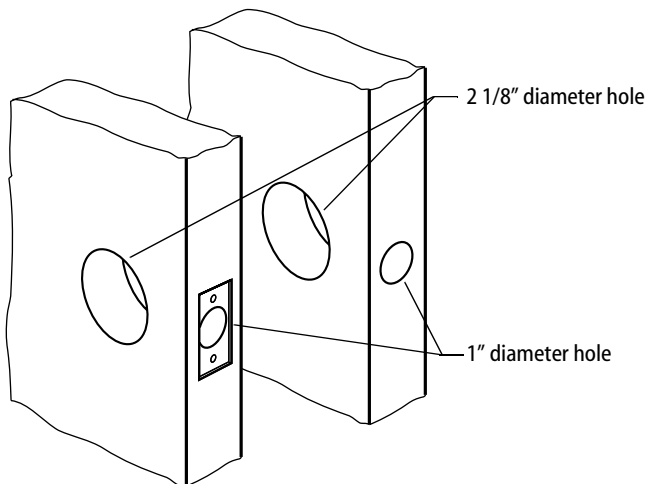


Figure 2 Holes for standard and drive-in deadbolts

- 1 Bore a 2 1/8" diameter hole. To avoid splintering a wood door, bore the hole from both sides of the door.
- 2 Drill a 1" diameter hole from the edge of the door that intersects the 2 1/8" hole.

For deadbolts with faceplates

- Using the deadbolt faceplate as a guide, mortise the edge of the door to recess the faceplate.

3 Install strike plate

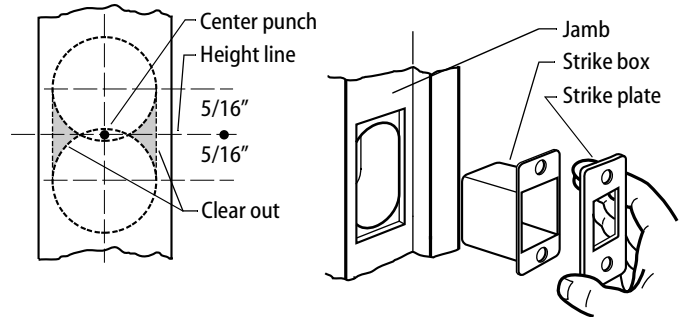


Figure 3 Installing the strike

- 1 Center punch the jamb directly opposite the bolt hole in the door. See Figure 3.
- 2 Drill two 1" diameter holes, located 5/16" above and below the center punch to a depth of 1 1/8".

Note: For S1 strike plates only, drill two additional 1" diameter holes located 15/16" above and below the center punch. Clear out the material between the holes.

- 3 Using the strike as a guide, mortise the jamb and install the strike box and strike plate as shown in Figure 3.

4 Install deadbolt assembly

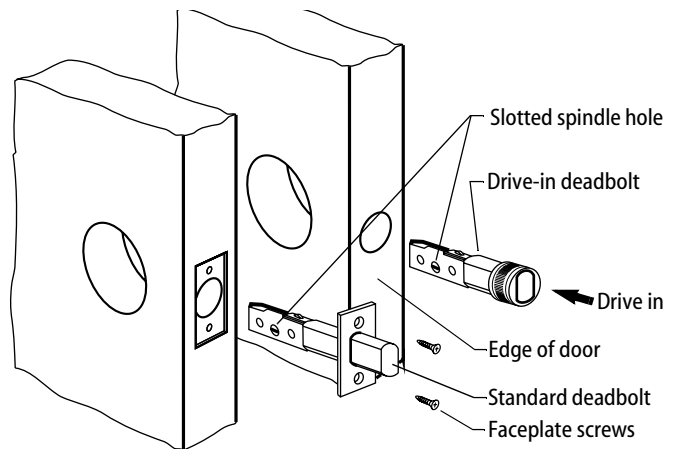


Figure 4 Installing the standard and drive-in deadbolts

For standard deadbolts

- 1 Insert the standard deadbolt with the slotted spindle hole at the bottom of the assembly as shown in Figure 4.
- 2 Secure the standard deadbolt to the door with the faceplate screws.

For drive-in deadbolts

- 1 Make sure the drive-in deadbolt is in the retracted position.
- 2 Insert the deadbolt into the door with the slotted hole at the bottom of the assembly. See Figure 4.

- Using a hammer and wooden block, lightly drive the deadbolt into the hole until the face of the deadbolt is flush with the edge of the door.

5 Install cylinder or cylinders

For 1 3/8" thick doors only

- Slip the spacer ring behind the outside cylinder and trim assembly as shown in Figure 5.

Note: Use two spacer rings for M function deadbolts, one behind the outside cylinder and the other behind the inside cylinder.

For single-keyed cylinder deadbolts except 'S' (classroom) functions

- Extend the bolt with a screwdriver.
- Install the cylinder and trim assembly with the spindle in the **vertical** position as shown in Figure 5.

For non-keyed KL functions

- Extend the bolt with a screwdriver.
- Slip the spacer ring behind the outside rose.

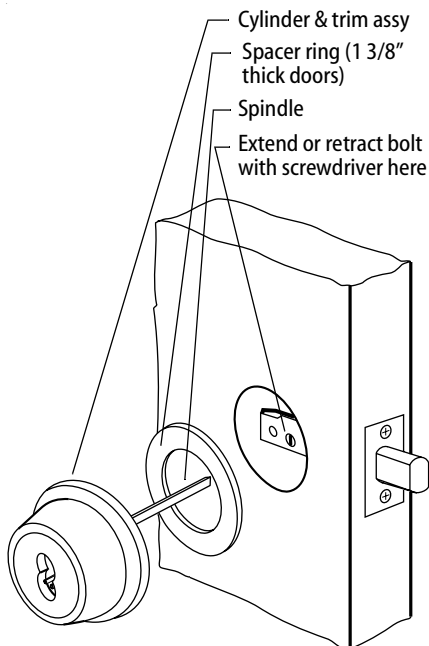


Figure 5 Installing the cylinder and trim assembly

For 'S' (classroom) function deadbolts

- Retract the deadbolt with a screwdriver.
- Install the cylinder and trim assembly with the spindle in the **horizontal** position.

For double-keyed cylinder deadbolts ('M' function)

- Extend the bolt with a screwdriver.

- Install each cylinder with its ring and rose as shown in Figure 6.

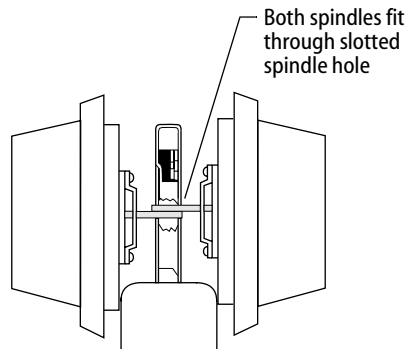


Figure 6 Side view of a double-keyed deadbolt

6 Attach inside trim

For standard mounting screws

- Secure the cylinder to the door with the clamp plate and mounting screws as shown in Figure 7.

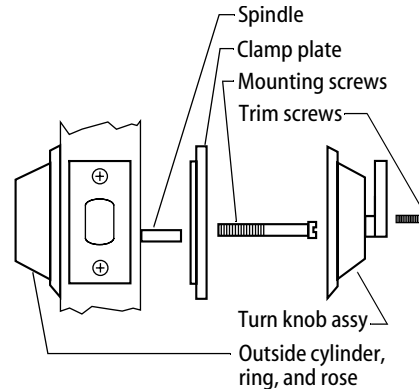


Figure 7 Standard trim mounting

- Break the spindle at the appropriate notch to suit the installation.
- Slide the turn knob assembly over the spindle and secure it with the trim screws supplied.

For concealed mounting screws

- With the inside rose and turn knob unit in place, put the two mounting screws through the outside cylinder as shown in Figure 8.

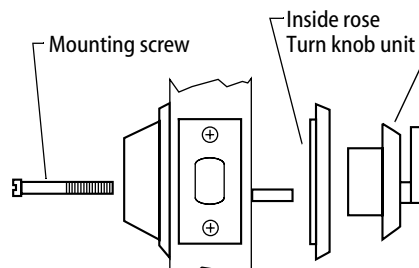


Figure 8 Concealed trim mounting

- Break the spindle at the appropriate notch to suit the installation.
- Screw the mounting screws into the back of the turn knob unit.

7 Install core or cores

For double-keyed deadbolts or deadbolts with concealed screws

- To cover the mounting screw holes, put the cylinder face into the ring. See Figure 9.

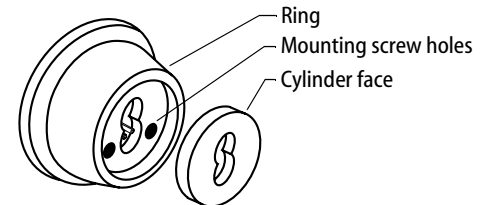


Figure 9 Installing the cylinder face for double-keyed deadbolts and deadbolts with concealed screws

For all deadbolt locks

- Put the control key into the core and turn the key 15 degrees clockwise as shown in Figure 10.

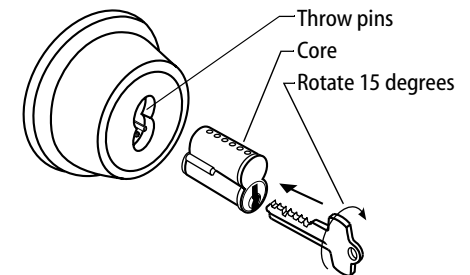


Figure 10 Installing the core on standard deadbolts

- Adjust the throw pins if needed, then put the core into the cylinder with the control key.
- Turn the key 15 degrees counterclockwise and remove the key.

Caution: Locks that secure both sides of the door are controlled by building codes and the Life Safety Code®. In an emergency exit situation, failure to quickly unlock the door from the inside could be hazardous or even fatal.

Patents

Products are covered by one or more of the following patents:

U.S. Patents

D290085, 4444034, 4424693, 4386510, 4294093, 4301667, 4655063, 4843852

Other patents pending.