

1 Center punch the drill points

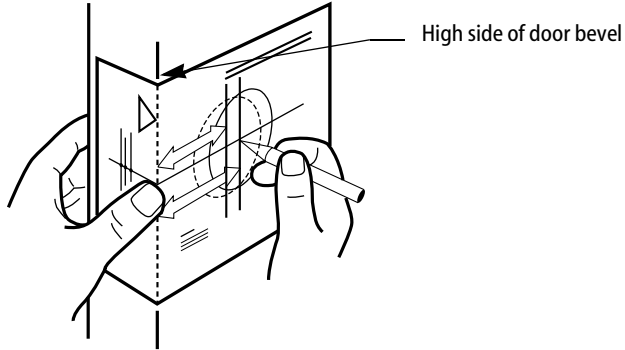


Figure 1 — Marking the template

- 1 Place the template at the desired height, on the high side of the door bevel.
- 2 Tape the template to the door.
- 3 Center punch the drill points.

2 Bore two holes

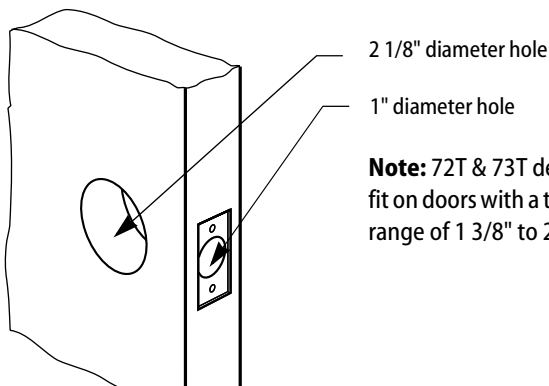


Figure 2 — Boring two holes

- 1 Bore a 2 1/8" diameter hole. To avoid splintering a wood door, bore the hole from both sides of the door.
- 2 Drill a 1" diameter hole from the edge of the door that intersects the 2 1/8" hole.

Note 1: Use the KD304A cylindrical boring jig kit for more efficient door preparation.

- 3 Using the deadbolt faceplate as a guide, mortise the edge of the door to recess the faceplate.

Note 2: Use the KD315 or KD312 face plate marking chisel for more efficient door preparation.

3 Install strike plate

- 1 Center punch the jamb directly opposite the bolt hole in the door.
- 2 Drill two 1" diameter holes, located 5/16" above and below the center punch to a depth of 1 1/8". See Figure 3.

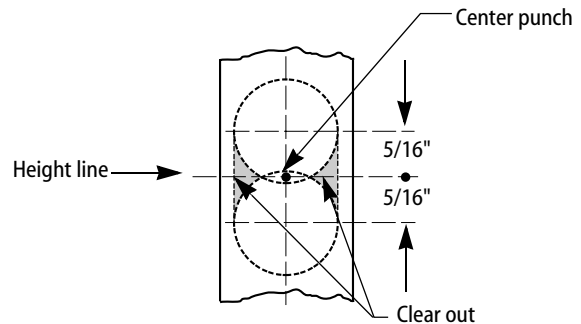


Figure 3 — Drilling out the deadbolt recess

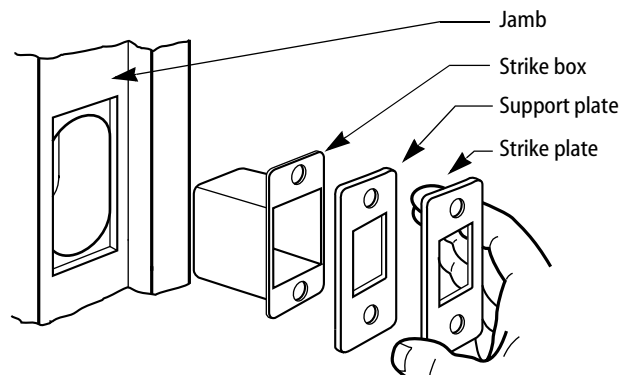


Figure 4 — Installing the strike box, support plate, and strike plate

- 3 Using the strike as a guide, mortise the jamb. Then install the strike box, support plate, and strike plate with screws. See Figure 4.

4 Install deadbolt

- 1 Insert the deadbolt with the slotted spindle hole at the bottom of the assembly. See Figure 5.
- 2 Secure the deadbolt to the door with screws.

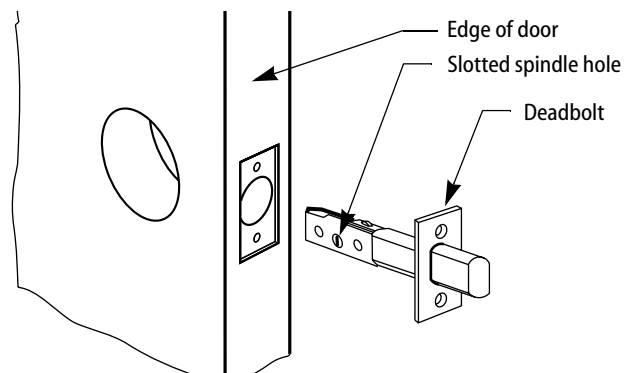


Figure 5 — Installing the deadbolt

5 Install cylinder or cylinders

For single-keyed cylinder deadbolts:

- 1 Extend the bolt with a screwdriver.
- 2 Install the cylinder and trim assembly with the spindle in the vertical position as shown in Figure 6.

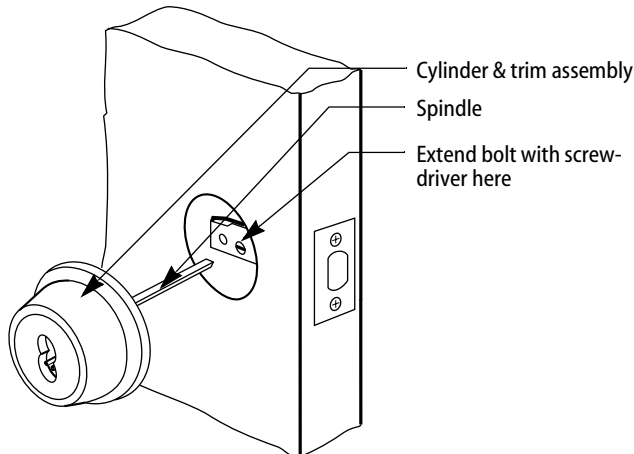


Figure 6 — Installing the cylinder

For double-keyed cylinder deadbolts ('M' function):

- 1 Extend the bolt with a screwdriver.

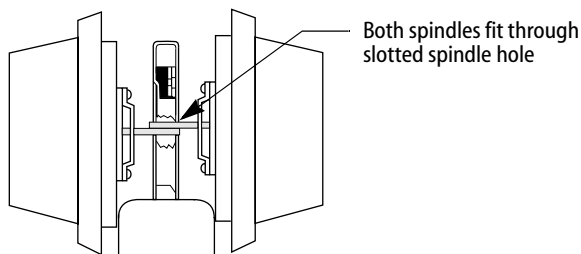


Figure 7 — Side view of double-keyed cylinder deadbolt spindles

- 2 Install each cylinder with its ring and rose as shown in Figure 7.
- 3 Insert long mounting screws and tighten. See Figure 8.
- 4 Check to make sure the deadbolt operates properly.
- 5 Insert the cover.

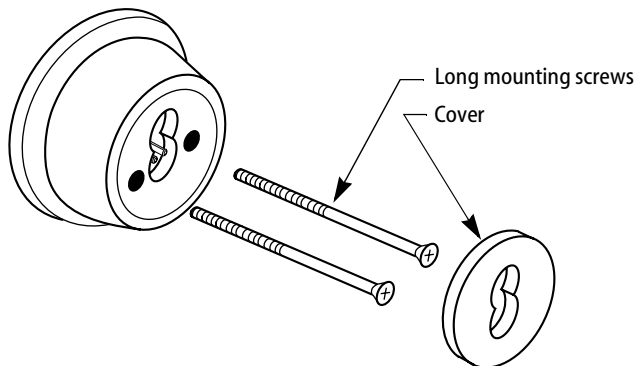


Figure 8 — Installing the inside cylinder mounting screws & cover

Note 1: When possible, mount cylinders on the door so that the mounting screws enter from the inside of the door.

Note 2: Both spindles must fit through the spindle hole in the deadbolt assembly. See Figure 7.

6 Attach inside trim

- 1 Break the spindle at the appropriate notch to suit the installation as shown in Figure 9.

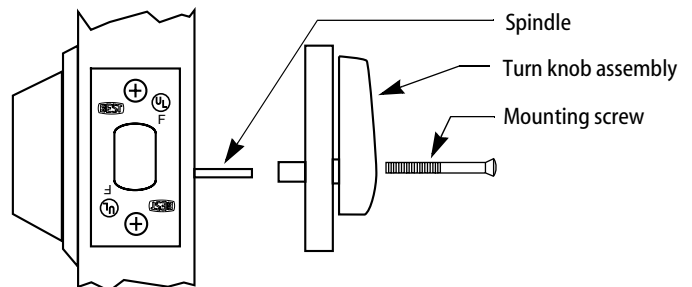


Figure 9 — Installing the inside trim

- 2 Slide the turn knob assembly over the spindle and secure it and the cylinder to the door with the mounting screws supplied.
- 3 Check to make sure that the deadbolt operates properly.

7 Install core or cores

- 1 Put the control key into the core and turn the key 15° clockwise. See Figure 10.
- 2 Adjust the throw pins if needed, then put the core into the cylinder with the control key.
- 3 Turn the key 15 degrees counterclockwise and remove the key.

Note 1: Repeat steps 1–3 for double-keyed deadbolts.

Note 2: Follow these steps to remove the core also.

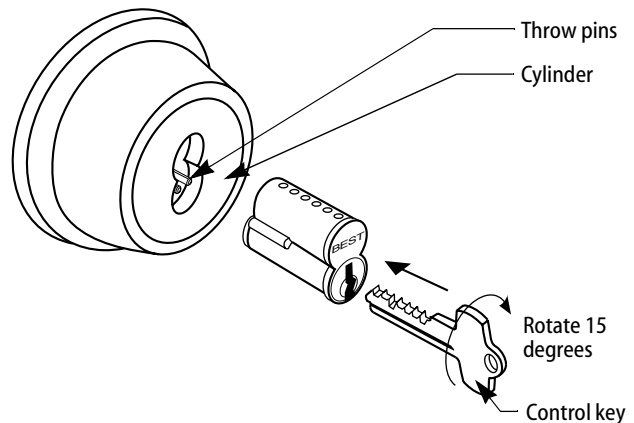


Figure 10 — Installing the core

Patents

Products are protected by one or more of the following U.S. patents: D290085, 4444034, 4424693, 4386510, 4294093, 4301667, 4655063, 4843852. Other patents pending

Caution: Locks that secure both sides of the door are controlled by building codes and the Life Safety Code®. In an emergency exit situation, failure to quickly unlock the door from the inside could be hazardous or even fatal.

The BEST 72T/73T deadbolt is UL and CUL listed for Auxiliary Locks, Cylindrical Deadbolt Type.

