



Installation Instructions for 1E Rim Cylinders

Use these instructions to install a BEST 1E rim cylinder in rim lock applications.

Only if you are replacing a cylinder:

- 1 Remove the lock case (examples of lock cases include rim locks and panic devices) from the inside of the door and remove the cylinder.
- 2 Measure and make note of the length of the old ring, spindle, and screws. See Figure 1.

1 Prepare cylinder

Perform the following steps by either: (a) comparing the new BEST rings, spindle, and screws to the existing ring, spindle, and screws, or (b) trying and measuring the new BEST cylinder in the door with the lock case.

- 1 Select the cylinder ring that will position the cylinder to the correct length.
- 2 Break off the spindle at the point that will position it to the correct length.

- 3 Break off the screws so that the clamp plate and cylinder will tighten onto the door.

2 Install cylinder

- 1 Insert the BEST cylinder from the outside of the door and secure it in place with the clamp plate. See Figure 1.

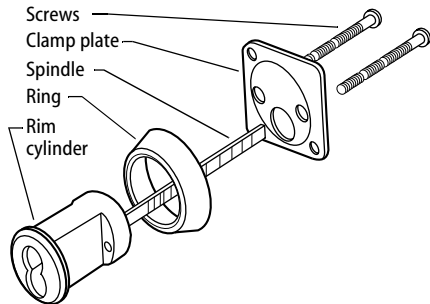


Figure 1 Securing the rim cylinder

Note: Make sure that the cylinder stays in the upright, centered position and that the spindle stays in the spindle hole in the lock case.

- 2 Reinstall the lock case.
- 3 Check the installation by inserting the key and turning. The key will operate the bolt freely if the cylinder and case are in proper alignment.

3 Install core

- 1 Put the control key into the core and turn the key 15 degrees clockwise. See Figure 2.

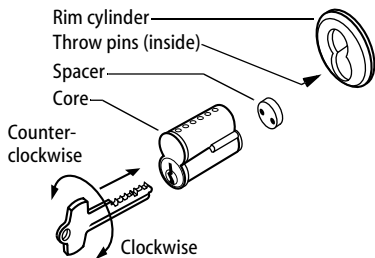


Figure 2 Installing the spacer (six-pin cores only) and core

- 2 When installing a six-pin core, slide the spacer onto the throw pins.
- 3 Adjust the throw pins if needed, then put the core into the cylinder with the control key.
- 4 Turn the key 15 degrees counterclockwise and remove the key.