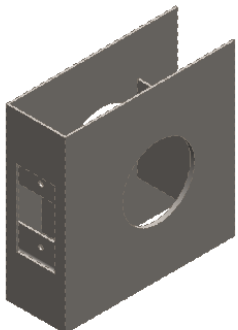
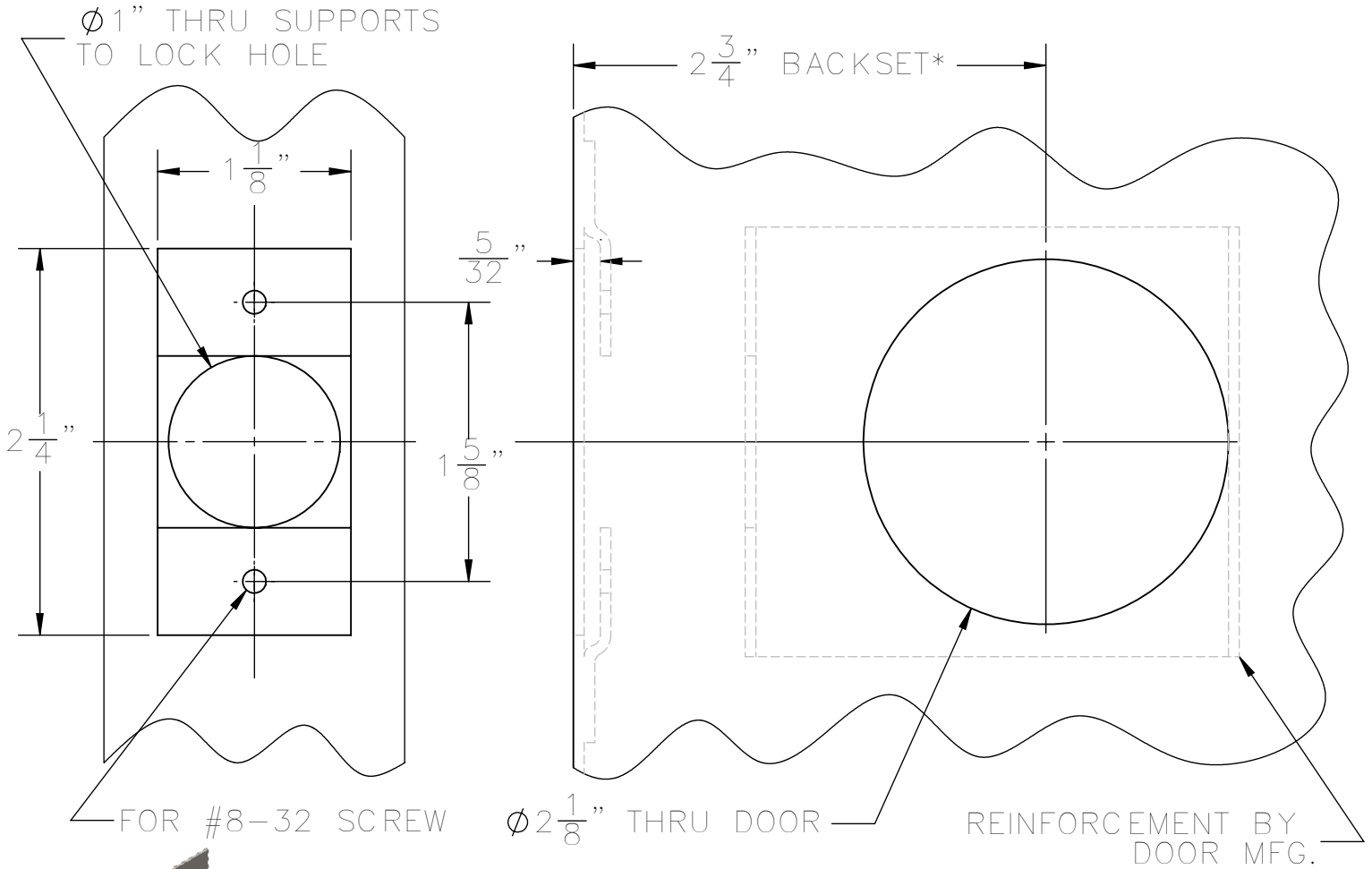
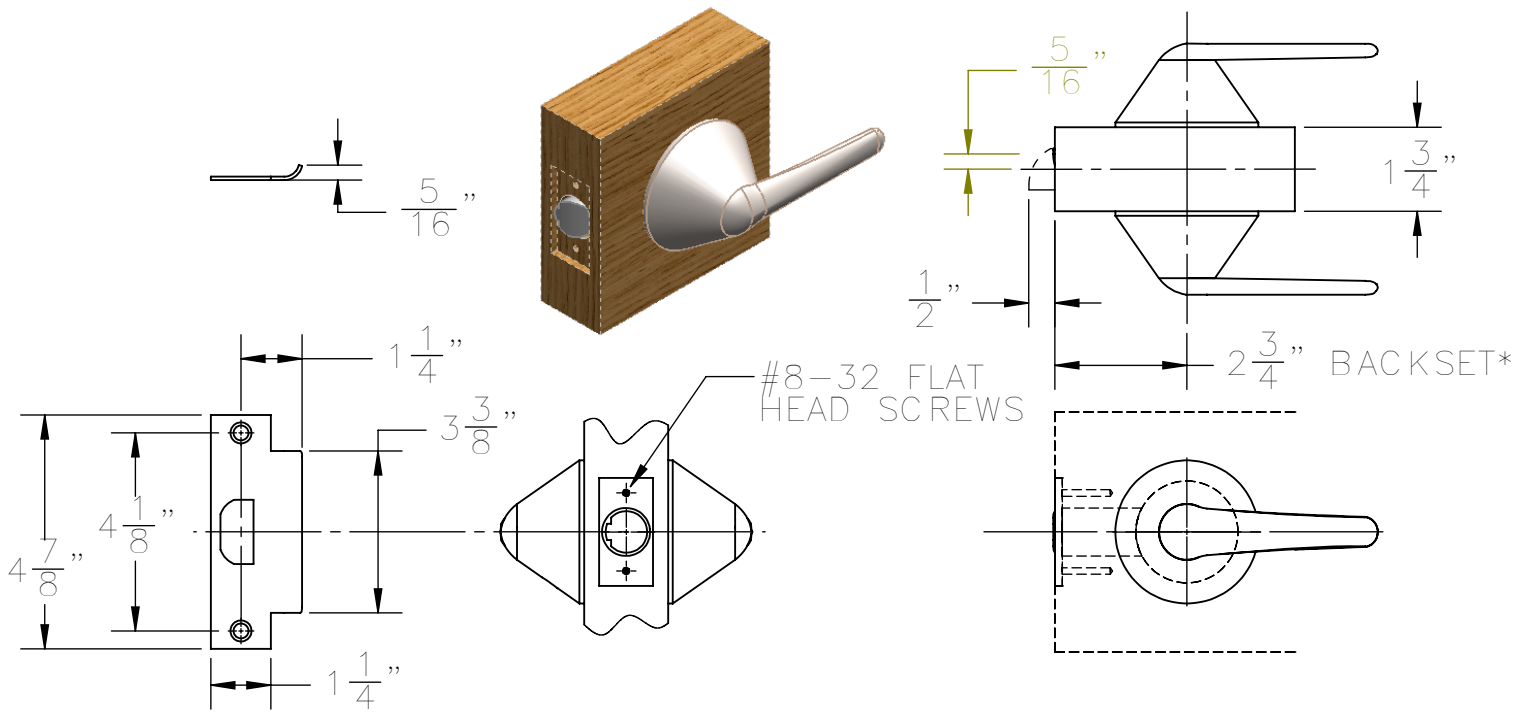


*BACKSET MEASURED FROM CENTER OF DOOR BEVEL.



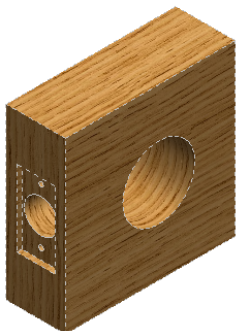
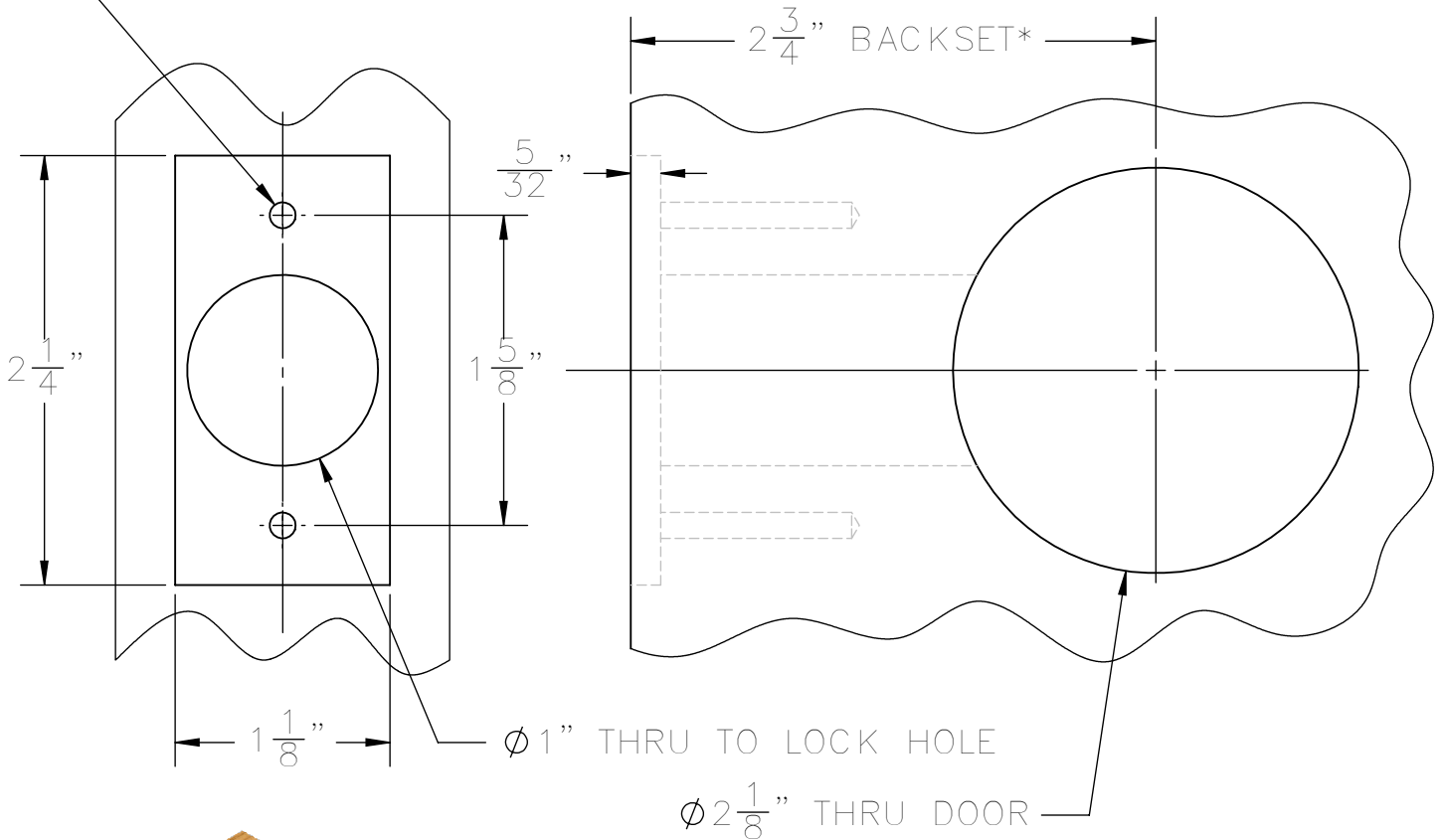
DO NOT SCALE
 ANY REPRODUCTION OF THIS TEMPLATE, VIA FAX, PHOTOCOPY OR DIGITAL TRANSMISSION, REDNDERS IT NOT TO SCALE.
 1"

SPSL SERIES CYLINDRICAL LOCK HOLLOW METAL DOOR PREP		BEST ACCESS SYSTEMS a Product Group of Stanley Security Solutions, Inc 6161 E 75th Street, Indianapolis, IN 46250 (800) 392-5209 www.stanleysecuritysolutions.com	
REV DATE	TEMPLATE NUMBER	REV	
01/2610	TMP0000100-01	B	
SPSL CYLINDRICAL LOCK v2.1			



PILOT HOLES FOR #8-32 SCREW

*BACKSET MEASURED FROM CENTER OF DOOR BEVEL.



DO NOT SCALE

ANY REPRODUCTION OF THIS TEMPLATE, VIA FAX, PHOTOCOPY OR DIGITAL TRANSMISSION, REDNDERS IT NOT TO SCALE.

1"

SPSL SERIES CYLINDRICAL LOCK WOOD DOOR PREP	BEST ACCESS SYSTEMS		
	a Product Group of Stanley Security Solutions, Inc. 6161 E 75th Street, Indianapolis, IN 46250 (800) 392-5209 www.stanleysecuritysolutions.com		
REV DATE 01/26/10	TEMPLATE NUMBER TMP0000100-02	REV B	SPSL CYLINDRICAL LOCK v2.1