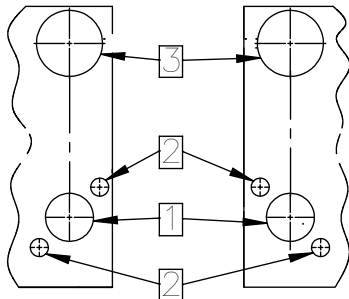
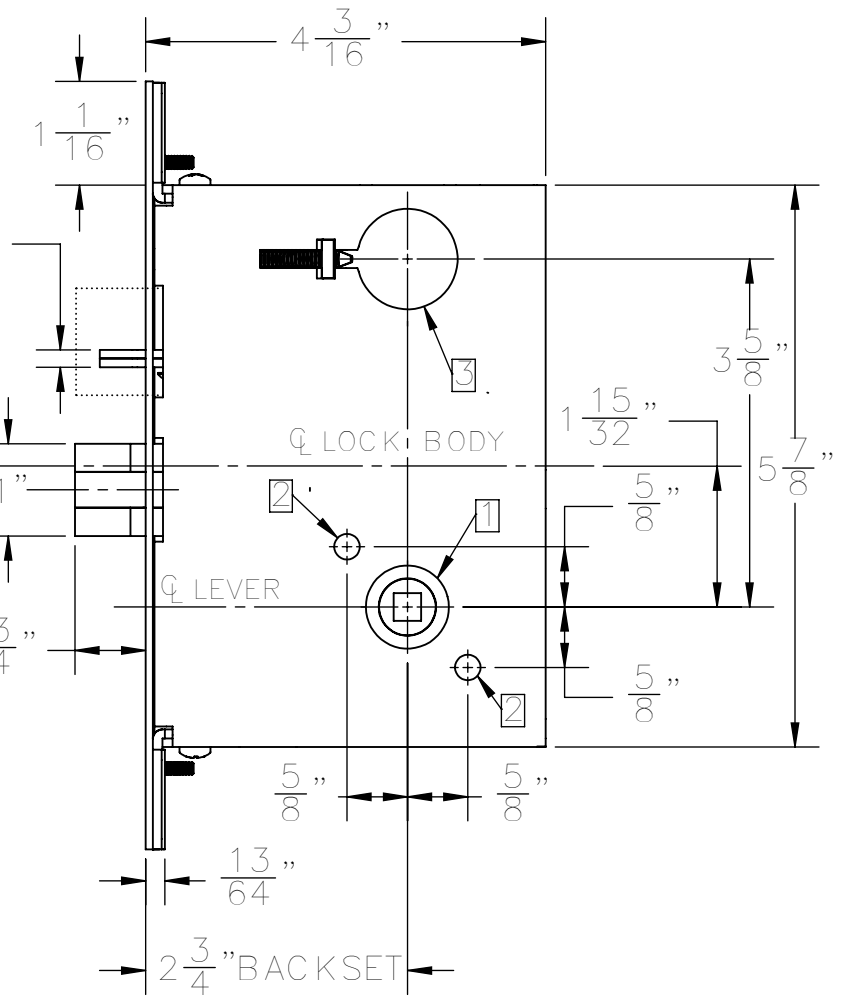


| HOLE | DESCRIPTION       | FUNCTION |          |          |
|------|-------------------|----------|----------|----------|
| 3    | INTERIOR CYLINDER | -        | -        | ∅ 1-3/8" |
|      | EXTERIOR CYLINDER | -        | ∅ 1-3/8" | ∅ 1-3/8" |
| 2    | MOUNTING POSTS    | ∅ 3/8"   | ∅ 3/8"   | ∅ 3/8"   |
| 1    | LEVER             | ∅ 1"     | ∅ 1"     | ∅ 1"     |
|      |                   |          |          | TLL      |
|      |                   |          |          | IND2     |
|      |                   |          |          | IND      |
|      |                   |          |          | T        |
|      |                   |          |          | W40      |
|      |                   |          |          | W30      |
|      |                   |          |          | W4       |
|      |                   |          |          | W3       |
|      |                   |          |          | W20      |
|      |                   |          |          | W10      |
|      |                   |          |          | W2       |
|      |                   |          |          | W1       |
|      |                   |          |          | LT       |
|      |                   |          |          | D        |
|      |                   |          |          | INL      |
|      |                   |          |          | R        |
|      |                   |          |          | A        |

INTERIOR EXTERIOR

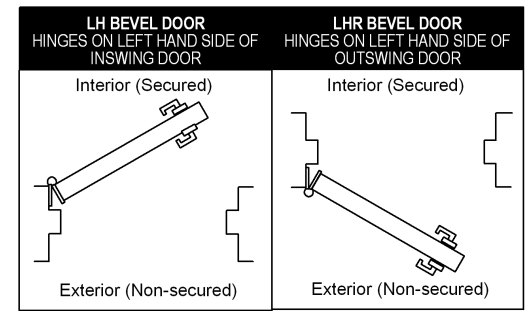
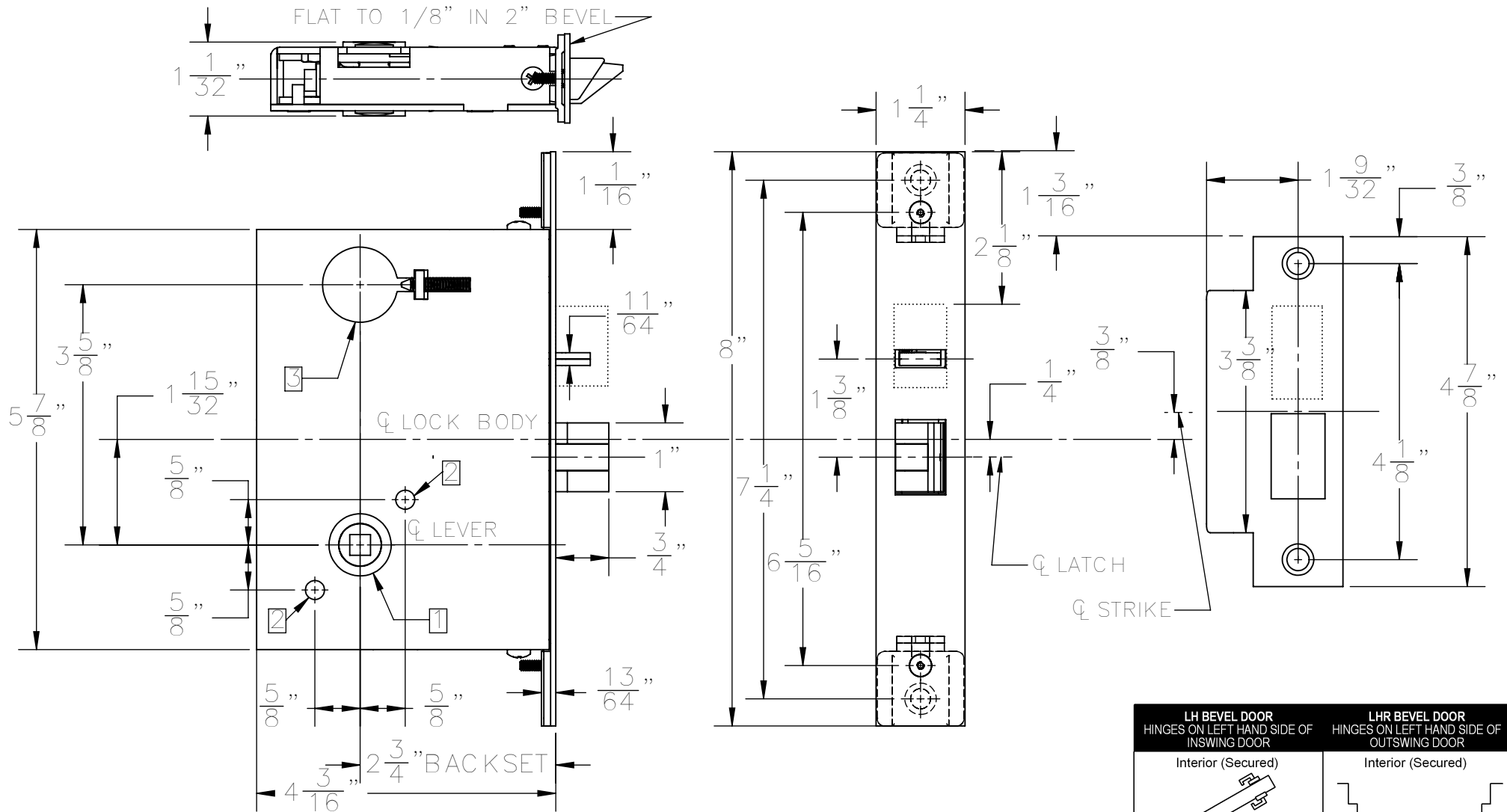


SUGGESTED DOOR CUT



NOT TO SCALE

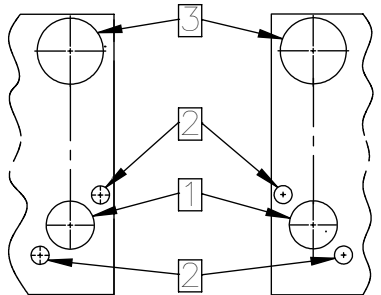
|  |   |  |                 |
|--|---|--|-----------------|
| <b>SPSSL SERIES MORTISE LOCK<br/>DOOR PREP</b> | <b>BEST ACCESS SYSTEMS</b><br>a Product Group of Stanley Security Solutions, Inc.<br>6161 E 75th Street, Indianapolis, IN 46250<br>(800) 392-5209<br>www.stanleysecuritysolutions.com |  |                 |
|  | REV DATE<br>05/10/10  | TEMPLATE NUMBER<br><b>TMP000099-02</b> | REV<br><b>E</b> |



NOT TO SCALE

| HOLE | DESCRIPTION       | FUNCTION |          |
|------|-------------------|----------|----------|
| 3    | INTERIOR CYLINDER | -        | Ø 1-3/8" |
|      | EXTERIOR CYLINDER | -        | Ø 1-3/8" |
| 2    | MOUNTING POSTS    | Ø 3/8"   | Ø 3/8"   |
| 1    | LEVER             | Ø 1"     | Ø 1"     |
|      |                   |          | TLL      |
|      |                   |          | IND2     |
|      |                   |          | IND      |
|      |                   |          | T W40    |
|      |                   |          | W30 W4   |
|      |                   |          | W3 W20   |
|      |                   |          | W10 W2   |
|      |                   |          | W1 LT    |
|      |                   |          | D INL    |
|      |                   |          | R A      |

EXTERIOR INTERIOR



SUGGESTED DOOR CUT

|  |   |  |                 |
|--|---|--|-----------------|
| <b>SPSSL SERIES MORTISE LOCK<br/>DOOR PREP</b> | <b>BEST ACCESS SYSTEMS</b><br>a Product Group of Stanley Security Solutions, Inc.<br>6161 E 75th Street, Indianapolis, IN 46250<br>(800) 392-5209<br>www.stanleysecuritysolutions.com |  |                 |
|  | REV DATE<br>05/10/10  | TEMPLATE NUMBER<br><b>TMP000099-02</b> | REV<br><b>E</b> |

| REV | DATE     | DESCRIPTION   | ECN#     | SIGN |
|-----|----------|---|----------|------|
| -   | 08.05.21 | INITIAL RELEASE.  |          | AV   |
| 01  | 08.08.04 | ADDED DISTANCE FROM TOP OF EDGE PLATE TO CENTER OF LATCH. |          | AV   |
| A   | 08.10.03 | ADDED WOOD DOOR VERSIONS.                                 |          | JR   |
| B   | 09.06.22 | REDRAWN IN NEW FORMAT. ADDED HOLE SCHEDULE.               | 09062201 | AV   |
| C   | 09.12.11 | REFLECTS UPPER DEADLATCH STYLE                            |          | JR   |
| D   | 10.01.26 | CONVERTED TO STANLEY/BEST                                 |          | JR   |
| E   | 10.05.10 | ADDED TLL FUNCTION, DB OUTLINE                            |          | JR   |

|      |                   |         |          |          |
|------|-------------------|---------|----------|----------|
| 3    | INTERIOR CYLINDER | -       | -        | Ø 1-3/8" |
|      | EXTERIOR CYLINDER | -       | Ø 1-3/8" | Ø 1-3/8" |
| 2    | MOUNTING POSTS    | Ø 3/8 " | Ø 3/8 "  | Ø 3/8 "  |
| 1    | LEVER             | Ø 1"    | Ø 1"     | Ø 1"     |
| HOLE | DESCRIPTION       | ON      | FUNCTION |          |
|      |                   |         | TLL      |          |
|      |                   |         | IND2     |          |
|      |                   |         | IND      |          |
|      |                   |         | T        | W40      |
|      |                   |         | W30      | W4       |
|      |                   |         | W3       | W20      |
|      |                   |         | W10      | W2       |
|      |                   |         | W1       | LT       |
|      |                   |         | D        | INL      |
|      |                   |         | R        | A        |

|                                       |  |   |  |                 |
|---------------------------------------|--|---|--|-----------------|
| SPSL SERIES MORTISE LOCK<br>DOOR PREP |  | <b>BEST ACCESS SYSTEMS</b><br>a Product Group of Stanley Security Solutions, Inc.<br>6161 E 75th Street, Indianapolis, IN 46250<br>(800) 392-5209<br>www.stanleysecuritysolutions.com |  |                 |
|                                       |  | REV DATE<br>05/10/10  | TEMPLATE NUMBER<br><b>TMP000099-02</b> | REV<br><b>E</b> |
| SPSL MORTISE LOCK v2                  |  |   |  |                 |