



BEST
dormakaba Group



SHELTER 45HX Mortise Lockset by BEST

The BEST 45HX is one of the industry's leading mortise lockdown solutions.

This patent-pending BHMA Grade 1 lock functions on a 900 MHz secure wireless network, allowing users to quickly lock doors by pressing a button on a fob. After receiving a lockdown command from the SHELTER™ system, the 45HX transitions from standard classroom function to storeroom function. This ensures that the hallway lever is secure, only allowing users to retract the latch and enter if they have a key. The 45HX is also equipped with visual and audible alarms to alert users that it is in lockdown mode.

Locked doors: the key to safety.

The 45HX combined with the SHELTER™ system gives administrators a quick course of action to lockdown buildings, campuses, or zones with the click of a button. Because nothing saves lives like a swift response—or a locked door.

- **Increased Security:** Door locks quickly and securely using a fob without needing to access the front of the device.
- **Superior Strength:** We designed the 45HX with a solid, one-piece stainless steel latch, providing 50% more surface contact with the strike to make the lock stronger and more secure.
- **Enhanced Durability:** The precision engineered curve on the latch enhances cycle life while reducing wear to the strike.
- **Simple to Use:** With features including a bidirectional lever for ADA-friendly operation, 45HX locks are easy to use.



With SHELTER, you can be confident your building is ready to respond in any situation. Integrating with first response systems and electronic access control systems,

Choose the SHELTER 45HX lock for a smart,
fast lockdown solution that you can trust in any situation.

BEST SHELTER helps you create safe spaces within your facility quickly and safely. This wireless responsive lockdown solution can be fully configured to adapt to your building(s) and security protocol. SHELTER is built to be an essential part of any building security system.

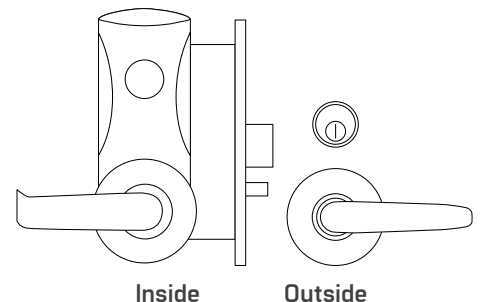
SHELTER 45HX Mortise Lockset Specifications	
MECHANICAL	
Code Compliance	UL10C-3 Hour; ANSI/BHMA A156.13 Grade 1 and ANSI/BHMA A156.5; NFPA101 Life Safety Code and IBC Compliant; FCC Part 15B and C
Functions	Classroom: In standard mode, lock and unlock with the key on outside Storeroom: In lockdown mode, the key retracts latch, outside lever always locked
Case	0.095" cold-rolled steel, zinc dichromate plated for corrosion protection; 5 7/8" x 7/8" x 4 1/16"
Finishes	605 bright brass; 606 satin brass; 611 bright bronze; 612 satin bronze; 613 oxidized satin bronze, oil rubbed; 618 bright nickel; 619 satin nickel plated; 622 flat black (interior cover, black only); 625 bright chromium plated; 626 satin chromium plated; 626 AM; 630 satin stainless steel; 630AM; 690 dark bronze
Auxiliary Bolt	Stainless steel; nonhanded
Latch	Solid stainless steel 3/4" throw; oil-impregnated to counter friction; reversible without opening case
Faceplate	Stainless steel, brass or bronze; 8" x 1 1/4" x 1/16"; automatically adjusts to proper bevel during installation
Backset	2 3/4" standard
ELECTRONIC	
Batteries / Warnings	4 AA batteries (included); *Up to 2-year battery life; Low battery warning at lock; Battery level reporting available in software
Wireless Communication	**900 MHz; Range of 400 ft. indoors; 1,200 ft. line of sight (typical)
Visual Indicators	Red = Lockdown; Green = Clear / restored to normal; Blue = Wireless comm. indicator; Others = Error / Fault / TBD
Audible Alarm	On-board sounder with software-configurable on / off Tamper detection—alarm when enclosure is removed
INSTALLATION	
Door Prep	ANSI Type 86 cutout
Door Thickness	1 3/4" standard; up to 5" available
Projection on Door	Approximately 2 3/4" when mounted on 1 3/4" door
Trim & Rose Options	Outside Trim Options: D - 3 1/2" convex; J - Wrought; H - 2 3/4"; R - 2 3/4"; S - 3 1/2" Inside Trim: D - 3 1/2"
Strike	S1 Standard: 4 7/8" x 1 1/4" x 3/32" non handed, curved lip S5 Latchbolt-only: 4 7/8" x 1 1/4" x 3/32" handed, curved lip

* Battery life will vary based on application and usage. It is suggested to replace batteries annually.
**Wireless range will vary based on application, operating environment, building materials and other external factors.

Features

SHELTER 9KX

- **Free Egress:** Unlike barricade devices, SHELTER 45HX provides code-compliant egress even during a lockdown.
- **Visual Lockdown Indicator:** Interior light shows lockdown status.
- **Easy Installation:** The reversible latch rotates 180 degrees, making it easy to change handing without opening the 45HX, and self-aligning trim makes installation fast, easy and accurate.
- **Reliable Performance:** With a roller bearing hub mechanism, the 45HX delivers smooth, wear-resistant operation.
- **Premium Materials:** The 45HX, cover and armored front are manufactured from 0.095" cold rolled steel with a corrosion-resistant coating, providing long-lasting strength.
- **Quick Rekeying:** Interchangeable core ensures quick, easy rekeying and master key compatibility.



BA-0350 05/21

For questions about ordering and to be sure you get the right configuration for your needs, [contact your BEST dormakaba sales representative](#).
6161 East 75th Street, Indianapolis, IN 46250 USA | [855-365-2407](tel:855-365-2407) | bestaccess.com