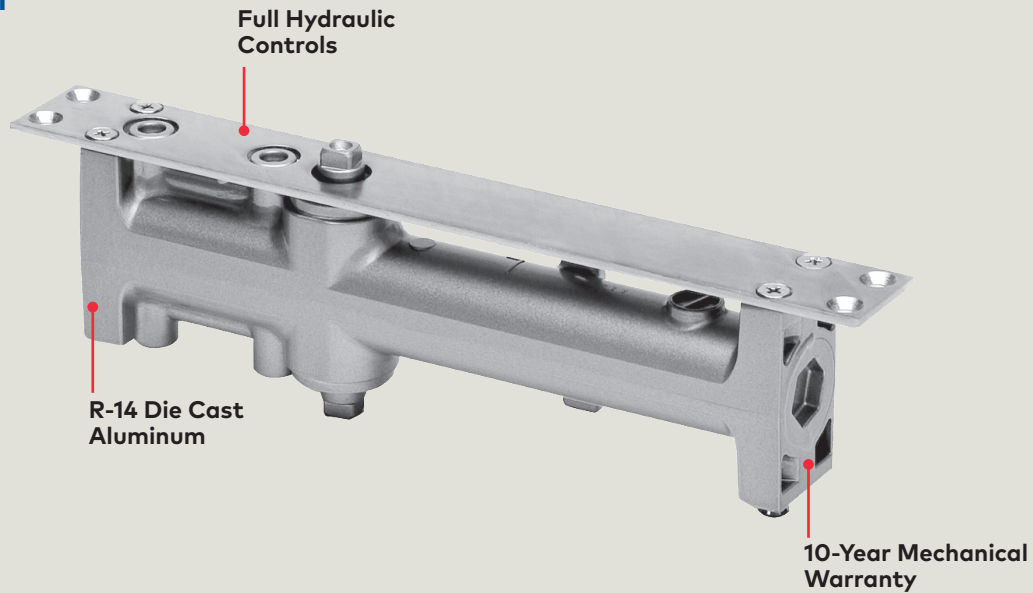
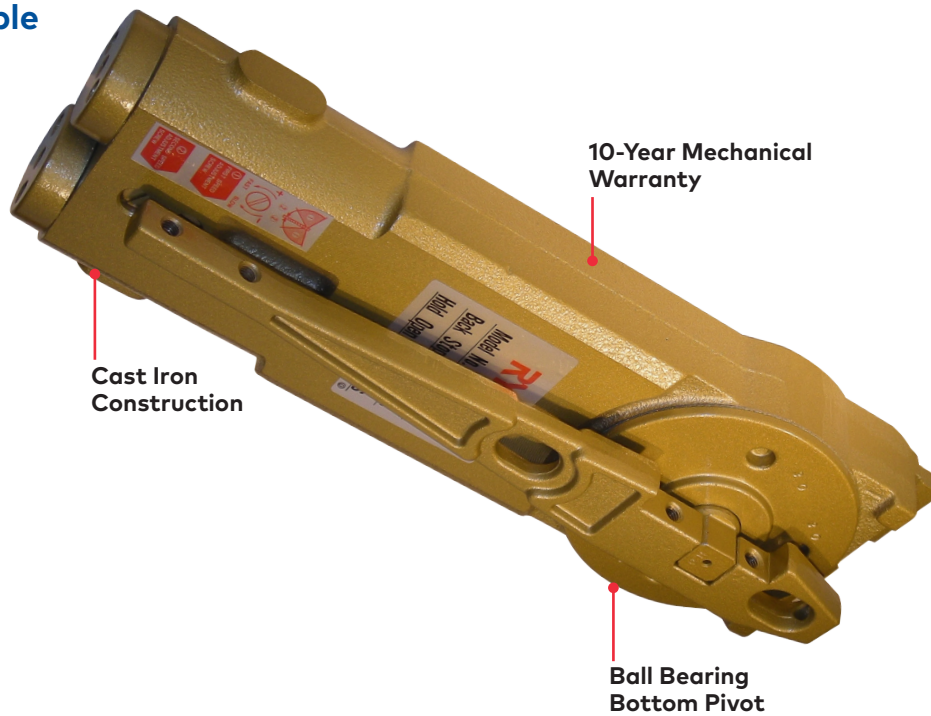


CO-50 & 30 Series FAQ

CO-50 Series Single Acting Closer



30 Series Double Acting Closer



What are the CO-50 & 30 Series?

The CO-50 & 30 Series are overhead concealed door closers. The CO-50 Series are single acting closers while the 30 Series are double acting closers.

Who is the CO-50 & 30 Series customer?

The CO-50 Series is commonly used in commercial office spaces whereas the 30 Series is ideal for double-acting aluminum storefront applications.

What closers are available within the CO-50 & 30 Series?

The closers found within the CO-50 & 30 Series are differentiated by size and whether or not they have hold-open capabilities. The CO-50 & 30 Series do not have adjustable sizing like the other closers.

Are there electrical options available to order on the CO-50 & 30 Series?

There are no electrical options available on the CO-50 & 30 Series.

Do you have to specify handing when ordering the CO-50 & 30 Series?

The 30 Series, CO-53, CO-54, CO-153 and CO-154 are non-handed, so they can be used on both RH and LH doors. You must specify handing when ordering a CO-55, CO-56, CO-155 or CO-156, however.

What finishes are offered for the CO-50 & 30 Series?

The CO-50 & 30 Series are available in 1 finish: 689..

What warranty does the CO-50 & 30 Series have?

The CO-50 & 30 Series have a 10 year mechanical warranty.